

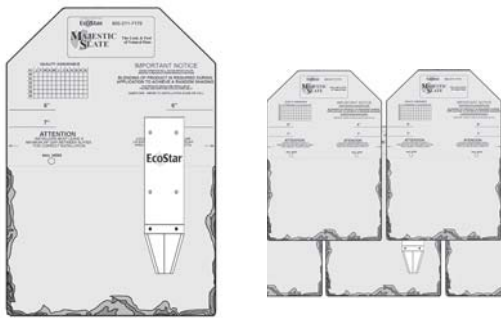


**DESCRIPTION**

EcoStar® Snow Guards have been engineered to meet a variety of design and snow loads. EcoStar Snow Guards are available in three decorative copper styles and coated aluminum (aluminum is color coated and available in all nine tile colors). EcoStar Snow Guards have been designed to work with all EcoStar tile roof systems, providing protection, easy installation and seamless component interface.

**INSTALLATION**

The location and number of Snow Guards is determined by the specifics of the roof design and project geographic location. EcoStar can provide a detailed layout when the appropriate information is provided. The EcoStar Snow Guard Calculator can be used to provide a detailed layout of the snow guard installation. The EcoStar Snow Guard Calculator can be found on EcoStar's website- [www.ecostar.carlisle.com](http://www.ecostar.carlisle.com).



**ADVANTAGES**

EcoStar Snow Guards are specifically designed for use with all EcoStar tile roof systems and are included under the terms of all EcoStar warranties.

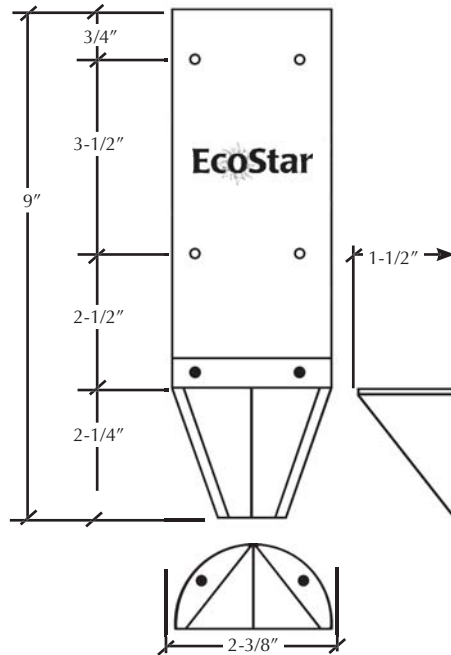
**LIMITATIONS**

Care needs to be taken with the handling of the Snow Guards to ensure that the copper flange does not become bent or distorted. This can cause problems with fastening and ultimately cause aesthetic problems with the tile installation.

EcoStar will prepare a product spacing and layout pattern for each particular project based solely on the information provided by the customer. The installation of the Snow Guards will only be as good as the accuracy of the information provided by the customer.

**PRODUCT SPECIFICATIONS**

FORMULATION		
Copper Decor	16 oz. cold rolled copper	
Color Matching	Aluminum-Kynar Coated Aluminum-Powder Coated	
PACKAGING INFORMATION		
	Unit	Copper
Snow guards per box	20	
Weight/individual	lbs.	.2
Weight per box	lbs.	4
PACKAGING INFORMATION		
	Unit	Aluminum
Snow guards per box	20	
Weight/individual	lbs.	.11
Weight per box	lbs.	2.2
PRODUCT CHARACTERISTICS		



**WARRANTIES**

EcoStar warrants this product to be free of defects in workmanship and materials at the time of shipment from EcoStar's factory. EcoStar will at its option either supply new product or refund the purchase price of any product found to be defective hereunder.

**EcoStar's limited warranties are the only warranties extended by EcoStar with respect to its materials. There are no other warranties, including the implied warranties of merchantability and fitness for a particular purpose. EcoStar specifically disclaims liability for any incidental, consequential, or other damages, including but not limited to, loss of profits or damages to a structure or its contents, arising under any theory of law whatsoever.**

The dollar value of EcoStar's liability and buyer's remedy under this limited warranty shall not exceed the purchase price of the EcoStar material in question.



P.O. Box 7000 • Carlisle, PA 17013 • Tel: 800-211-7170 • Fax: 888-780-9870 • [www.ecostar.carlisle.com](http://www.ecostar.carlisle.com)

HJE 06/07 © Copyright 2007 by EcoStar, a division of Carlisle SynTec Incorporated. EcoStar is a trademark of Carlisle. P/N-602710 ECO-SNOW GUARD PTD.

PRODUCT TECHNICAL DATA